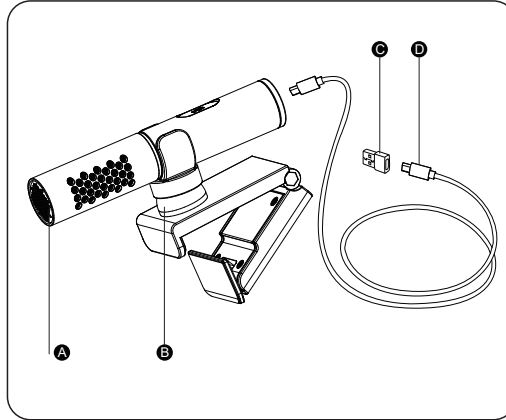


TM310 USB Shotgun Condenser Mic



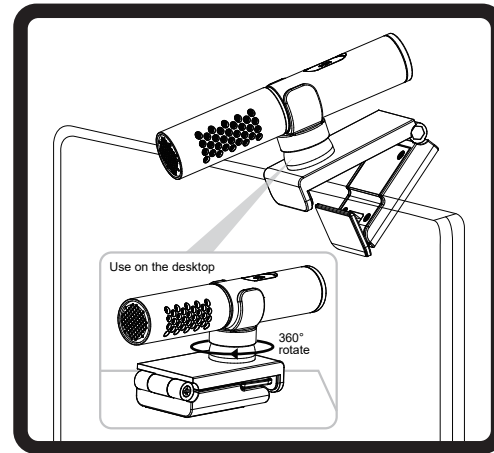
What's in the box?

- A: Microphone *1
- B: Bendable mic stand *1
- C: Type C to USB A adapter *1
- D: Type C-Type C cable *1

1

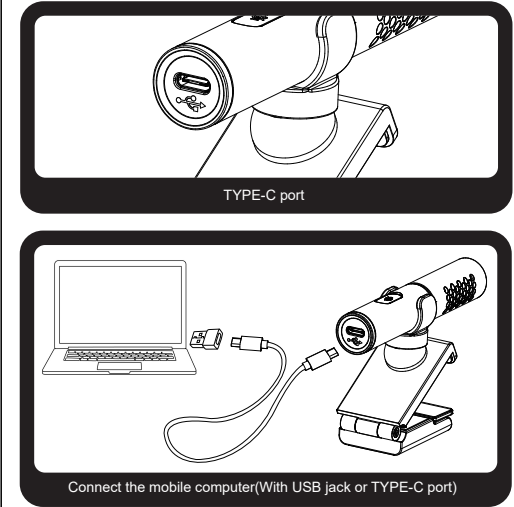
How to use?

1. Take out the microphone and fix it to the computer.
2. After adjusting to the best angle, plug one end of the USB cable into the back of the microphone. (Clip it on the computer or put it on the desktop.)



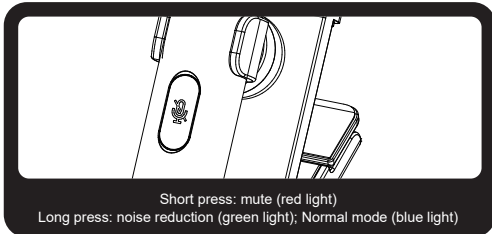
2

3. Insert the other plug into the USB port of the computer. A Type C port can be directly inserted and a USB port needs to be connected with the included adapter.



3

4. Adjust the microphone state here.



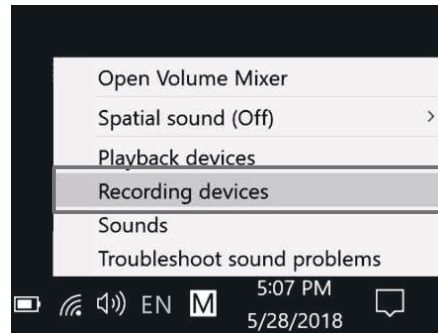
4

5. Enter the microphone settings, the detailed steps are as follows:

WINDOWS 7/8/10/11 INSTALLATION FOR USB MICROPHONE

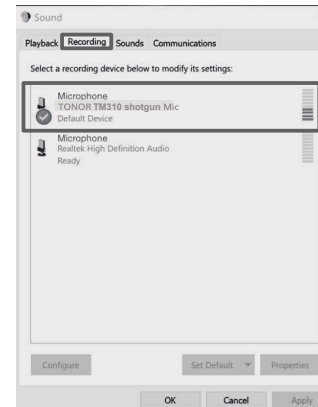
Step 1: Plug the USB port of the microphone directly into your laptop or desktop computer.

Step 2: Right-click the Audio manager icon on the lower right of the desktop, then click the recording devices.



5

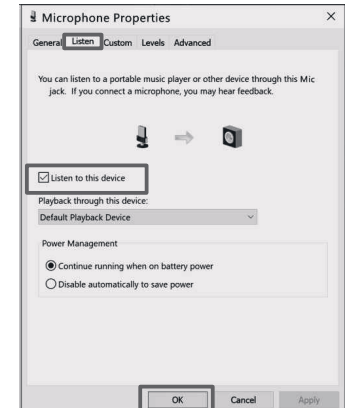
- Step 3: You can see the microphone is set up and is on the default, double click on the microphone, then you can find Microphone properties.



6

- Step 4: Come to listen, check listen to this device, then click the OK button (if you need to monitor when recording, click OK to save the settings).

- Step 5: Now, click on OK to save the settings.

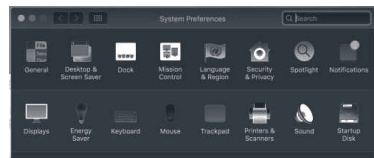
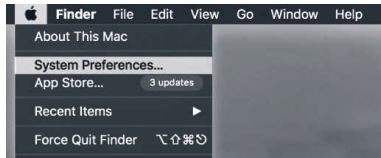


7

MAC OS INSTALLATION FOR USB MICROPHONE

Step 1: Click the desktop menu, then click System Preferences.

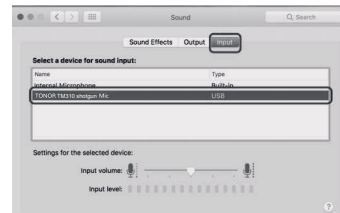
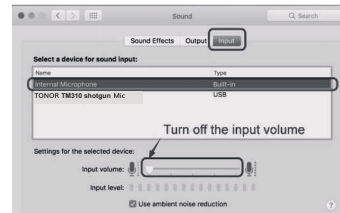
Step 2: Find the sound button and click it.



8

Step 3: Choose input. You will find an internal microphone.

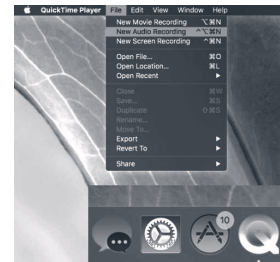
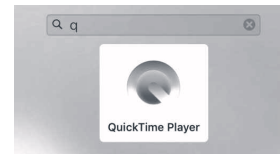
Step 4: Choose **TONOR TM310 shotgun Mic**, adjust input volume. (General adjustment in the middle).



9

Step 5: Search the built-in software, QuickTime Player and the right click and select 'NEW Audio Recording'.

Step 6: After selecting the external USB microphone, click the recording button and you can record it with the mic.



10

Specification

US/GB

Product model: TM310
Pickup patter: Supercardioid
Frequency response: 80Hz-20KHz
Sensitivity: -36dB±3dB
Output impedance: <680Ω
Mic weight: 170g/0.37LBS

FR

Modèle de produit: TM310
Mode Pickup: Supercœur
Réponse en fréquence: 80Hz-20KHz
Sensibilité: -36dB±3dB
Impédance de sortie: <680Ω
Poids du microphone: 170g/0.37LBS

ES

Modelo de producto: TM310
Modo de recogida: supercardioid
Respuesta de frecuencia: 80Hz-20kHz
Sensibilidad: -36dB±3dB
Resistencia a la salida: <680Ω
Peso del micrófono: 170g/0.37LBS

NL

Model van het product: TM310
Opnamepatroon: supercardioid
Frequentierespons: 80Hz-20KHz
Gevoeligheid: -36dB±3dB
Uitgangsimpedantie: <680Ω
Miccgewicht: 170g/0.37LBS

DE

Produktmodell: TM310
Aufnahmemuster: Supercardioid
Frequenzgang: 80Hz-20KHz
Empfindlichkeit: -36dB±3dB
Ausgangsimpedanz: <680Ω
Mikrofongewicht: 170g/0.37LBS

IT

Modello del prodotto: TM310
Modello di prelievo: Supercardioid
Risposta in frequenza: 80Hz-20KHz
Sensibilità: -36dB±3dB
Impedenza di uscita: <680Ω
Peso del microfono: 170g/0.37LBS

PL

Model produktu: TM310
Wzór odbioru: superkardioid
Odpowiedź częstotliwości: 80Hz-20KHz
Czułość: -36dB±3dB
Impedancja wyjściowa: <680Ω
Waga mikrofonu: 170g/0.37LBS

SE

Produktmodell: TM310
Upphåmningmönster: Supercardioid
Frekvenssvar: 80Hz-20KHz
Känslighet: -36dB±3dB
Utgångsimpedans: <680Ω
Mikrofonvikt: 170g/0.37LBS

11

FCC Statement

This device complies with part 15 of the FCC Rules. Operation is subject to the following two conditions: (1) This device may not cause harmful interference, and (2) this device must accept any interference received, including interference that may cause undesired operation.

NOTE: This equipment has been tested and found to comply with the limits for a Class B digital device, pursuant to part 15 of the FCC Rules. These limits are designed to provide reasonable protection against harmful interference in a residential installation. This equipment generates, uses and can radiate radio frequency energy and, if not installed and used in accordance with the instructions, may cause harmful interference to radio communications. However, there is no guarantee that interference will not occur in a particular installation. If this equipment does cause harmful interference to radio or television reception, which can be determined by turning the equipment off and on, the user is encouraged to try to correct the interference by one or more of the following measures:

- Reorient or relocate the receiving antenna.
- Increase the separation between the equipment and receiver.
- Connect the equipment into an outlet on a circuit different from that to which the receiver is connected.
- Consult the dealer or an experienced radio/TV technician for help.

Warning: Changes or modifications to this unit not expressly approved by the party responsible for compliance could void the user's authority to operate the equipment. Special accessories or shielded cables must be used with this unit to ensure compliance with the Class B FCC limits.

12

ISED Statement

This device contains licence-exempt transmitter(s)/receiver(s) that comply with Innovation, Science and Economic Development Canada's licence-exempt RSS(s). Operation is subject to the following two conditions:

- (1) This device may not cause interference.
- (2) This device must accept any interference, including interference that may cause undesired operation of the device.

L'émetteur/récepteur exempt de licence contenu dans le présent appareil est conforme aux CNR d'Innovation, Sciences et Développement économique Canada applicables aux appareils radio exempts de licence. L'exploitation est autorisée aux deux conditions suivantes :

- (1) L'appareil ne doit pas produire de brouillage;
- (2) L'appareil doit accepter tout brouillage radioélectrique subi, même si le brouillage est susceptible d'en compromettre le fonctionnement.

13